



**GREEN CLIMBER**  
**LV 600 PRO**



**A STURDY MACHINE FOR  
THE TOUGHEST OF TASKS**

**VARIOUS ACCESSORIES AVAILABLE FOR LANDSCAPE  
MAINTENANCE, CLEARING ROAD BANKS OR FORESTRY TASKS.**



### LOWER FUEL CONSUMPTION, BETTER MANOEUVRABILITY AND EASIER TRANSPORT

Compact dimensions and low weight allow Green Climbers to have the best power-to-weight ratio.



### GREATER STABILITY

The variable width undercarriage achieves an unrivalled stability on uneven and steep terrain and can be adjusted directly from the remote control.



### GREATER FLEXIBILITY

The tool's lateral movement enables work beyond the machine's footprint of up to 1000 mm.



### GREATER STABILITY AND TRACKS ALWAYS IN PLACE

Our undercarriage with its patented track guard system dramatically increases stability and reliability.



### WORK IN ANY DIRECTION ON SLOPES OF UP TO 60°

Lowest centre of gravity in its category. This means that Green Climbers can work even in extreme conditions.



### CONTINUOUS OPERATIONS

The reversible fan and oversized radiator allow continuous work in dusty and high temperature environments.



### INCREASED FOOTPRINT

The LV 600 PRO has the ability to work even on muddy or loose soil.



### TIME SAVINGS

The rapid connect/disconnect system allows for time savings for changing the attachments. A tool-less method to change attachments for the job at hand.



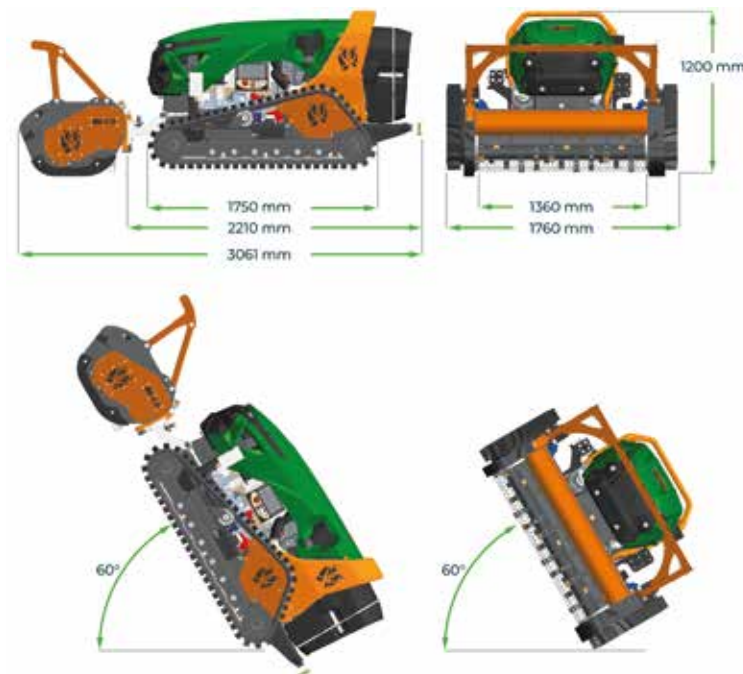


# Green Climber – LV 600 PRO

## TECHNICAL SPECIFICATIONS

Dry Weight	1400 kg
Work Gradient	60°
Extendable Undercarriage	1360 mm / 1760 mm
Attachment Sideshifting	500 mm + 500 mm
Engine	KOHLER KDI1903TCR
N. of Cylinders	3
Engine Power	56.3 hp / 42 kw
Engine Torque	225 Nm @ 1500 rpm
Emissions	Stage V - EPA Tier 4 Final
Fuel Tank Capacity	34 L Diesel
Cooling System	Liquid
Main Attachment Pump	83 L/m @ 320 bar
Service Pump	22 L/m @ 180 bar
Hydraulic Oil Tank Capacity	32 L
Hydraulic Auxiliary Lines	3 Proportional
Transmission	Hydraulic Proportional
Speed	9 km/h
Reversible Fan	Yes

© MDB Srl 2022 - Image, technical and construction specifications subject to change with no obligation of prior notification. All rights reserved.



**MDB srl**

[www.mdb srl.com](http://www.mdb srl.com)

Via Cupone 13  
66022 Fossacesia (CH)  
Italia

